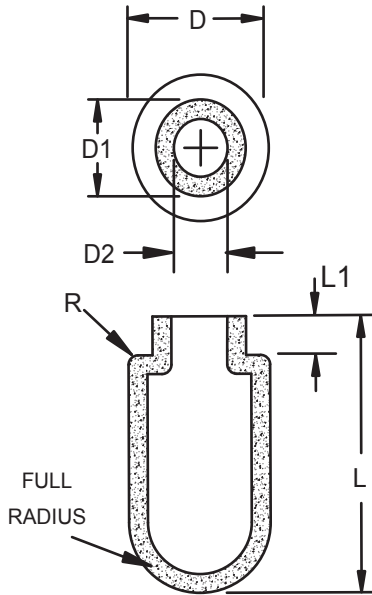




# 0650 SPECIAL CERAMICS

## 0653DLS Series Special Porous Ceramic Cup Specifications Round Bottom Straight Neck Cups

You have requested a quotation for a specialized porous ceramic cup. To provide a reasonable and accurate quotation we will need you to fill in this specifications sheet completely. As you might surmise, we cannot guess at your specific requirements, nor are we able to quote on unknowns, so please let us know as much about the product you require and the environment that it will be used in. Thanks!



653D#L#S

Round Bottom Straight Neck Cups

### DIMENSIONAL REQUIREMENTS

Outer Diameter D \_\_\_\_\_ In. or \_\_\_\_\_ mm  
 Neck Diameter D1 \_\_\_\_\_ In. or \_\_\_\_\_ mm  
 Neck Inner Dia. D2 \_\_\_\_\_ In. or \_\_\_\_\_ mm  
 Neck Length L1 \_\_\_\_\_ In. or \_\_\_\_\_ mm  
 Neck Radius R \_\_\_\_\_ In. or \_\_\_\_\_ mm  
 Body Length L \_\_\_\_\_ In. or \_\_\_\_\_ mm

### TOLERANCES OF FABRICATION: Select One

Standard Tolerance - "As Cast"

"As Cast" tolerance for D & D1 generally .032 in (.8 mm), D2 is formed by wall build up and is generally .093 in (2.38 mm), L & L1 is generally .093 in (2.38 mm) for items 1- 4 inches (25 -100 mm), "R" radius is approximately .015 in (.4 mm). Sizes larger and smaller than 1- 4 inches (25-100 mm) may vary more or less than those indicated.

Precision Tolerances Required - Please specify below

Outer Diameter D +/- \_\_\_\_\_ In. or +/- \_\_\_\_\_ mm  
 Neck Diameter D1 +/- \_\_\_\_\_ In. or +/- \_\_\_\_\_ mm  
 Neck Inner Dia. D2 +/- \_\_\_\_\_ In. or +/- \_\_\_\_\_ mm  
 Neck Length L1 +/- \_\_\_\_\_ In. or +/- \_\_\_\_\_ mm  
 Neck Radius R +/- \_\_\_\_\_ In. or +/- \_\_\_\_\_ mm  
 Body Length L +/- \_\_\_\_\_ In. or +/- \_\_\_\_\_ mm

### MATERIAL REQUIREMENTS *Please select the material for fabrication. If several wanted, number in order of priority.*

.5 bar HF B0.5M2    1bar HF B01M3    1 bar STD B01M1    2 bar STD B02M1    2 bar HF B02M2    3 bar STD B03M1    5 bar STD B05M1    15 bar B15M1

### QUANTITY REQUIREMENTS *Please select no more than 2 quantities to be quoted.*

1 Only    1-5 ea.    6-24 ea.    25-49 ea.    50-149 ea.    150-500 ea.    \_\_\_\_\_

### SPECIAL REQUIREMENTS *Please describe any special requirements required such as glazing, assembly, epoxy joining, testing, labeling, etc. - sketch requirements on the drawing above.*

\_\_\_\_\_  
 \_\_\_\_\_

### DESCRIPTION OF USE *Please describe use without divulging proprietary information.*

\_\_\_\_\_  
 \_\_\_\_\_  
 \_\_\_\_\_

FOR SOILMOISTURE USE ONLY

SPECIAL PART NO. \_\_\_\_\_ Delivery \_\_\_\_\_ Days